



# WA-106 Wash System



**Basket in wash position**



**Basket in dump position**

## WA- 106 Wash System

- Great for removing mud and soil
- Constructed from stainless steel with 2mm holes
- Overflow pipe
- Drain valve
- Dumps via hydraulic cylinder
- Length of time set on panel
- Good for all types of vegetables and fruits (both leafy and root)

### Technical Information:

- Dimensions: 69 in long X 43 inches wide X 43 inches high
- Capacity: 35 to 45 lbs/batch
- Electricity: 230 volt/ 3 phase

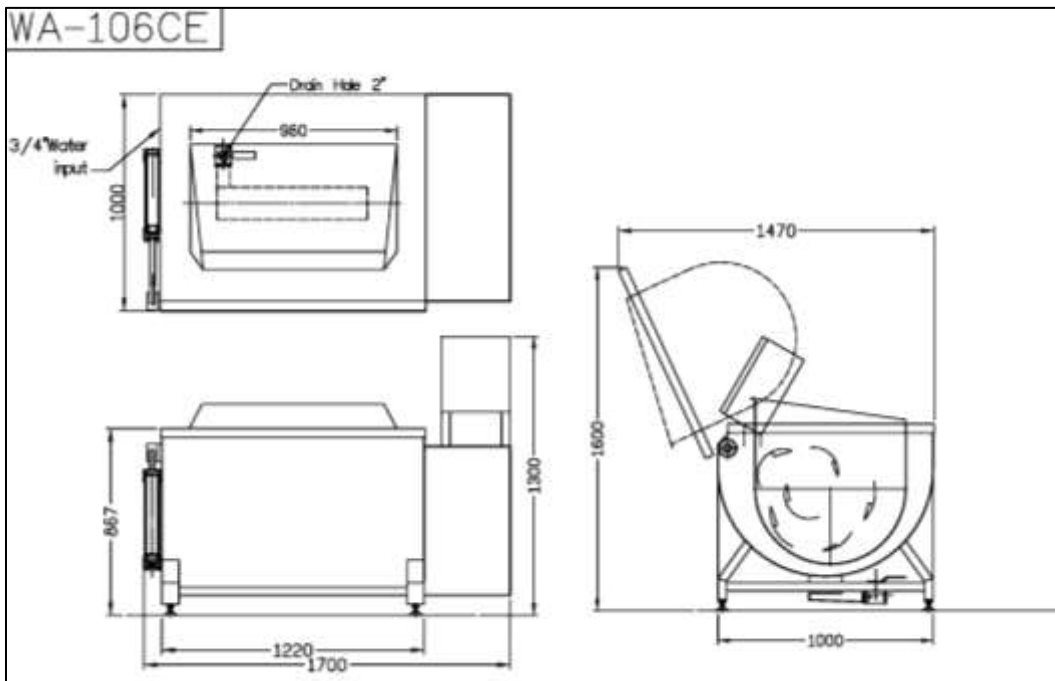
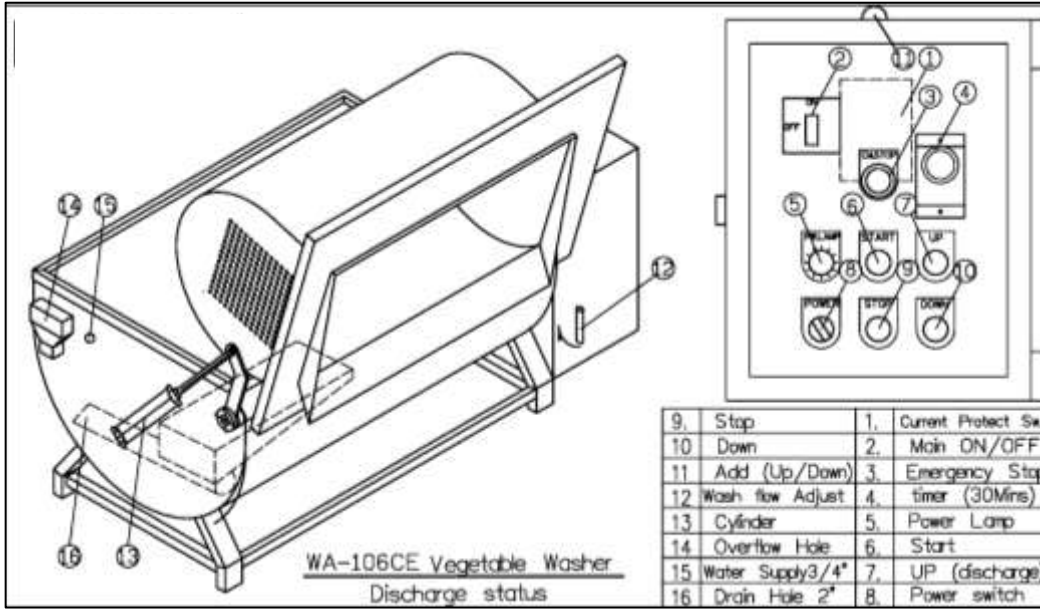


**Perforated wash basket with agitation jets**



Distributed by:

Esker Sales LLC  
 sales@eskersalesllc.com  
 419 419 3669



Specifications:

- Water Capacity – 148 gallons
- Water Connection – ¾ in NPT
- Drain – 2 in. diameter
- Drain Height – 3 inches
- Discharge Height – 30 inches
- Electrical – 230/60/3 phase



[www.eskersalesllc.com](http://www.eskersalesllc.com)

419 419-3669